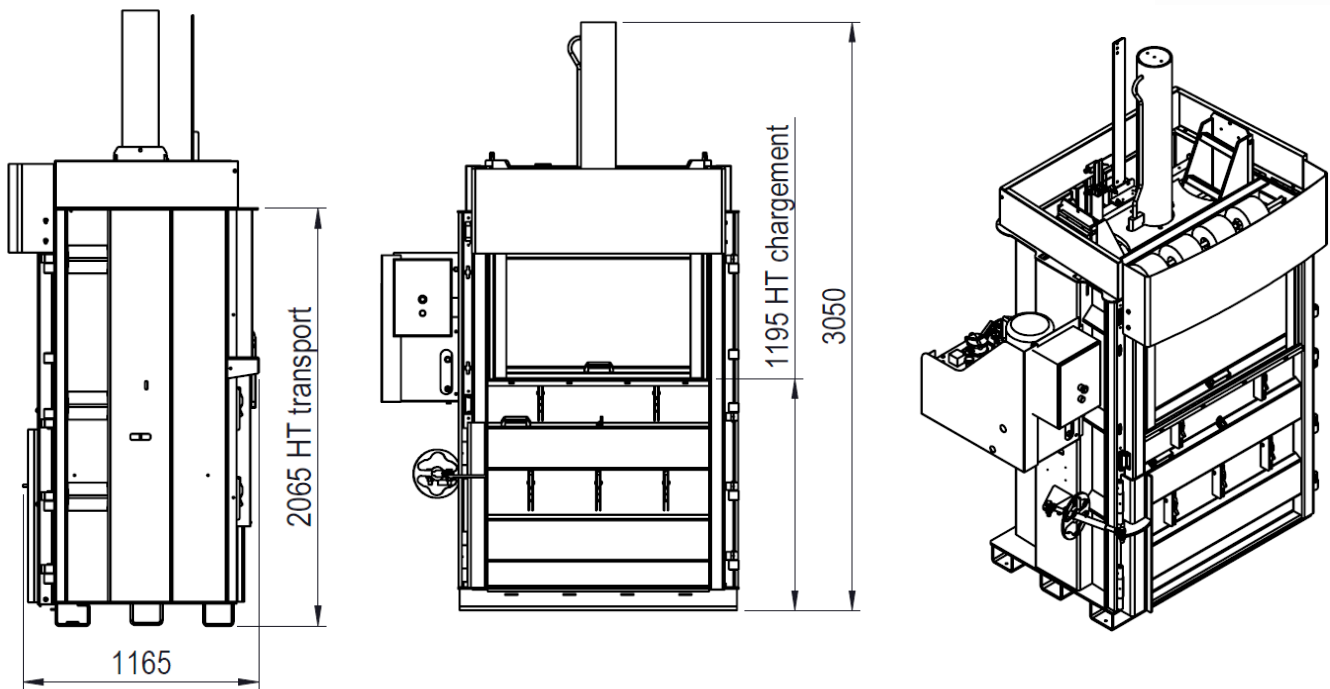


# PRESSE VERTICALE

*VERTICAL BALER PRESS*

**Type SAM 400**





## Caractéristiques Techniques

### Technical Data

<b>OUVERTURE DE CHARGEMENT (MM)</b> <i>Feed Opening/Aperture (mm)</i>	540x1090
<b>DIMENSIONS INTERIEURES DU CAISSON (MM)</b> <i>Internal dimensions (mm)</i>	1200x850x1800
<b>POUSSEE (TONNES)</b> <i>Press Force (tons)</i>	52
<b>PUISSANCE MOTEUR (kW)</b> <i>Motor (KW /Hp)</i>	7.5
<b>PRESSION SPECIFIQUE (KG/CM<sup>2</sup>)</b> <i>Specific pressure (Kg /Cm<sup>2</sup>)</i>	5.1
<b>TEMPS DE CYCLE (SECONDES)</b> <i>Cycle time (seconds)</i>	40
<b>SURFACE DU PISTON (MM)</b> <i>Ram surface (mm)</i>	1200x850
<b>POIDS TOTAL A VIDE (KG)</b> <i>Total machine weight (kg)</i>	1600
<b>HAUTEUR DE CHARGEMENT (MM)</b> <i>Height loading (mm)</i>	1195
<b>POIDS DES BALLES / CARTON (KG)</b> <i>Approx. bale weight /cardboard (kg)</i>	400
<b>DIMENSIONS DES BALLES (MM)</b> <i>Bale size (mm)</i>	1200x850x1200
<b>HAUTEUR TRANSPORT(MM)</b> <i>Transportation Height (mm)</i>	2070